

## Toggle Clamps

**Steel, Operating Lever Vertical, with Vertical Mounting Base, Heavy Duty Type „Longlife“**

### SPECIFICATION

#### Types

- Type **B**: Clamping arm with slotted hole (only sizes 220 and 440)
- Type **F**: Clamping arm with bushing

Toggle clamp steel

- Precision casting
- Blackened

Lever arm steel

- Forged
- Blackened

Parts in sheet metal case-hardened steel  
Blackened

Bearing pins and rivets steel  
hardened and ground

All moving parts  
Lubricated with special grease

Solid designed plastic handle  
Red, oil resistant



### INFORMATION

Toggle clamps "Longlife" GN 810.11 are an advance development of GN 810.1 (see page 1564). The steel sheet design of the clamp and lever arms is replaced by precision or die-forged components. The remaining steel sheet metal parts have been reinforced, bearing pins and rivets are toughened and ground.

These toggle clamps are therefore suitable for applications in which substantial forces occur and in which a long service life is required.

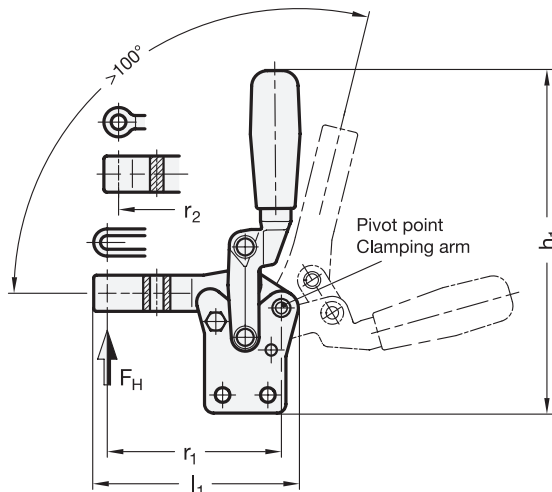
Extensive tests have shown that trouble-free function (under load) is ensured also after one million clamping cycles.

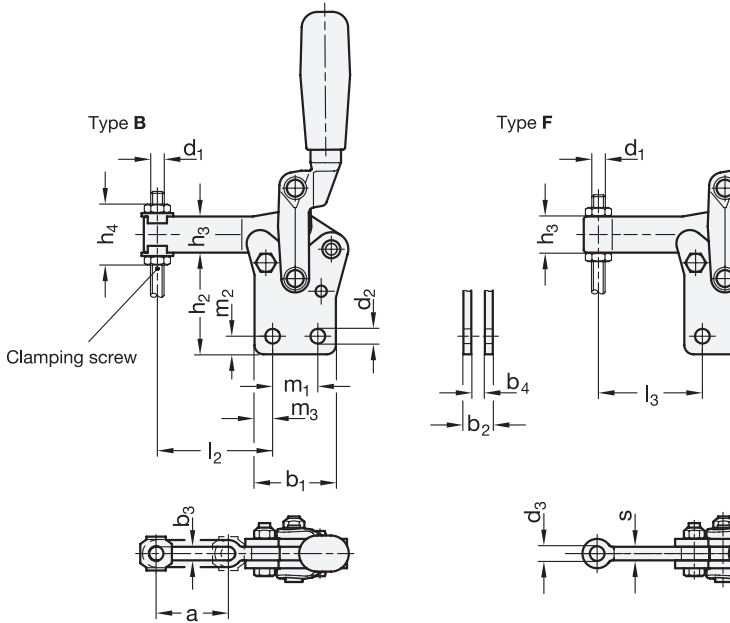
Stepped side washers are included.

- General information for toggle clamps (see page 1560)

### ACCESSORY

- Clamping Screws (see page 1623 ff.)





GN 810.11-B

Description	Size	F <sub>H</sub> in N	a	b <sub>1</sub>	b <sub>2</sub>	b <sub>3</sub>	b <sub>4</sub>	d <sub>1</sub>	d <sub>2</sub>	d <sub>3</sub>	h <sub>1</sub>	h <sub>2</sub>	h <sub>3</sub>	h <sub>4</sub> ≈	l <sub>1</sub>	l <sub>2</sub>	l <sub>3</sub>	m <sub>1</sub>	m <sub>2</sub>	m <sub>3</sub>	r <sub>1</sub>	r <sub>2</sub>	s	⚖
GN 810.11-220-B	220	2200	32	36	13	6	6	M 6	6.5	6.5	152	45.5	16	27	86	51	46	20	8	8	77	72	6	330
GN 810.11-440-B	440	4400	34	54	20	10	10	M 10	8.5	10.5	235	69.5	24	45	129.5	66	66	30	10	12	107	107	10	1200

GN 810.11-F

Description	Size	F <sub>H</sub> in N	a	b <sub>1</sub>	b <sub>2</sub>	b <sub>3</sub>	b <sub>4</sub>	d <sub>1</sub>	d <sub>2</sub>	d <sub>3</sub>	h <sub>1</sub>	h <sub>2</sub>	h <sub>3</sub>	h <sub>4</sub> ≈	l <sub>1</sub>	l <sub>2</sub>	l <sub>3</sub>	m <sub>1</sub>	m <sub>2</sub>	m <sub>3</sub>	r <sub>1</sub>	r <sub>2</sub>	s	⚖
GN 810.11-220-F	220	2200	32	36	13	6	6	M 6	6.5	6.5	152	45.5	16	27	86	51	46	20	8	8	77	72	6	325
GN 810.11-440-F	440	4400	34	54	20	10	10	M 10	8.5	10.5	235	69.5	24	45	129.5	66	66	30	10	12	107	107	10	1200
GN 810.11-850-F	850	8500	-	75	24	-	12	M 12	10.5	12.5	301	88	30	-	161	-	72	55	10	10	-	133	12	2200
GN 810.11-1540-F	1540	15400	-	90	32	-	16	M 16	12.5	16.5	344	106	35	-	203	-	92.5	65	17.5	12.5	-	167	16	4500

